

## Product information

# 92 21 08

## Universal Tweezers



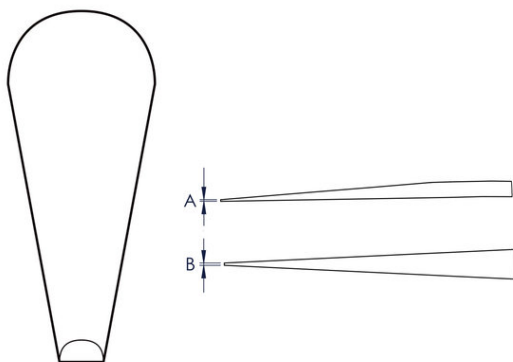
- Universal Tweezers are suitable for demanding standard applications and precision tasks
- Wide range of designs: straight, angled, gripping surfaces and handles smooth or serrated, with needle points, narrow or blunt tips, as well as different lengths
- For the electronics industry, watchmakers and jewellers
- High quality stainless steel: extremely tough and very good corrosion resistance against a variety of atmospheric environments and many corrosive materials
- Stainless steel

### General

|                   |                          |
|-------------------|--------------------------|
| Article No.       | 92 21 08                 |
| EAN               | 4003773086741            |
| Material          | stainless steel          |
| Gripping surfaces | smooth gripping surfaces |
| Weight            | 15 g                     |
| Dimensions        | 140 x 8 x 12 mm          |
| Reach             | no                       |
| RohS              | no                       |

### Technical details

|                     |                      |
|---------------------|----------------------|
| Tips width (A)      | 0.2 mm               |
| Tips width (B)      | 0.3 mm               |
| Corrosion-resistant | yes                  |
|                     | no                   |
| VDE tested          | no                   |
| sectors             | Industry electronics |



### Classification

|                |            |
|----------------|------------|
| eCl@ss 5.1.4   | 21040500   |
| ETIM 5.0       | EC000182   |
| ETIM 6.0       | EC000182   |
| proficl@ss 6.0 | EAB696c019 |

technical change and errors excepted